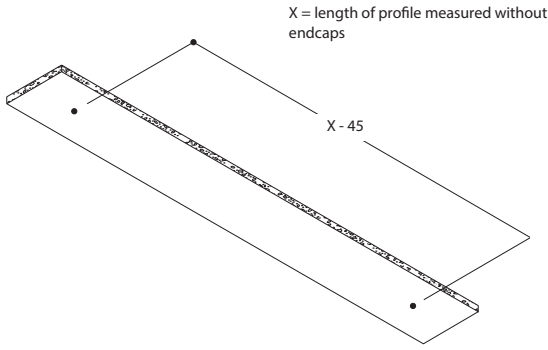
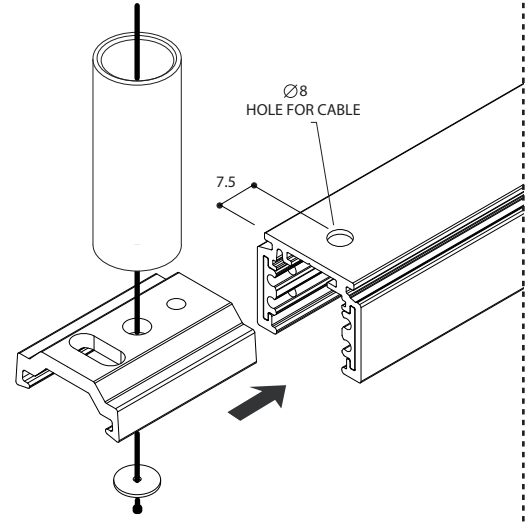




1 DETERMINE HOLE POSITION FOR INSTALLING SUSPENSION SET (X - 45)



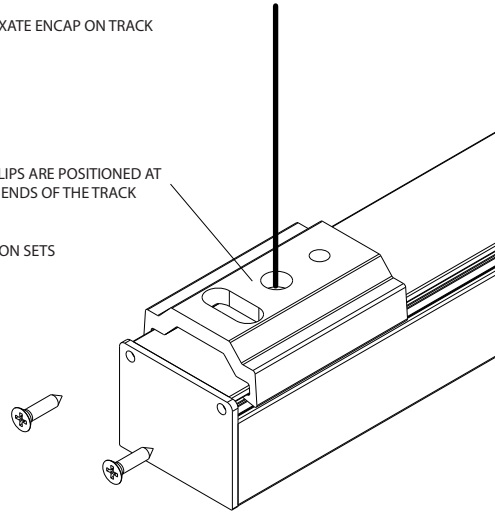
2 FOLLOW THE ORDER IN WHICH THE PARTS NEED TO FIT OVER THE SUSPENSION CABLE BEFORE SHOVING FIXATION CLIP ONTO TRACK



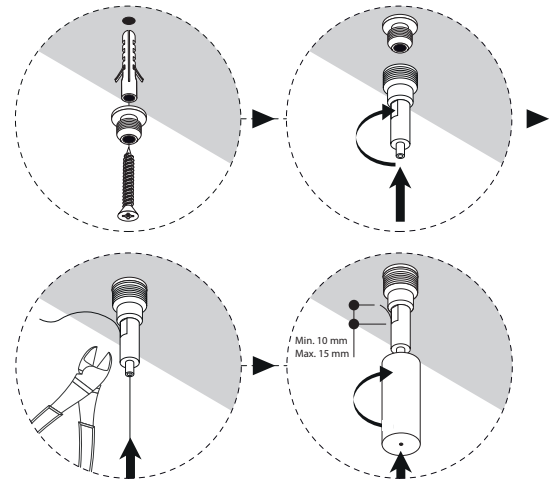
3 FIXATE ENCAP ON TRACK

FIXATION CLIPS ARE POSITIONED AT THE OUTER ENDS OF THE TRACK

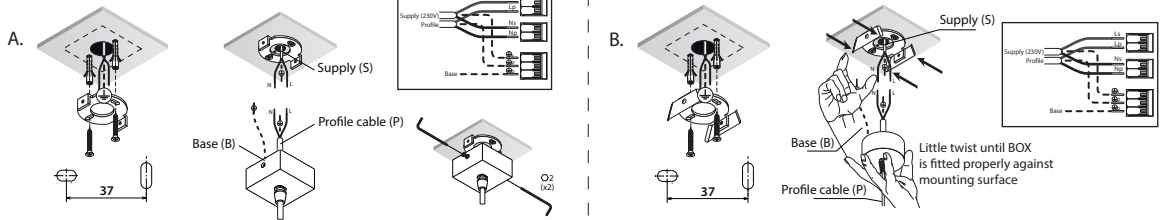
1 TRACK = 2 SUSPENSION SETS



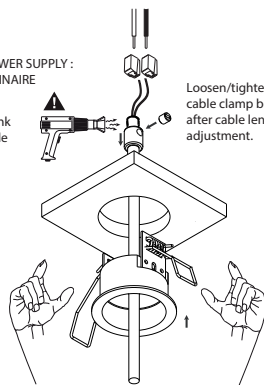
4 FIX THE ADJUSTERS TO THE CEILING AND CUT THE WIRES TO THE DESIRED LENGTH



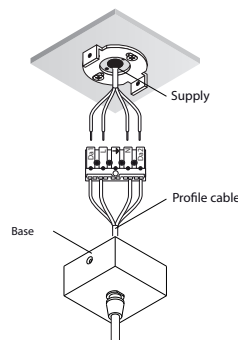
5 MOUNT THE BASE FOR ELECTRIC CONNECTION



C. TYPE POWER SUPPLY: SEE LUMINAIRE  
Use transparant shrink tube to protect textile isolation.  
Loosen/tighten cable clamp before/after cable length adjustment.

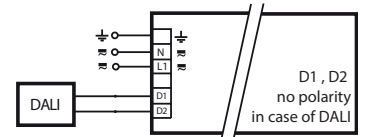
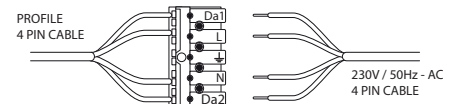


CONNECTING POWER SUPPLY IN CASE OF DALI



NOTE: DALI connection is compatible for all base systems

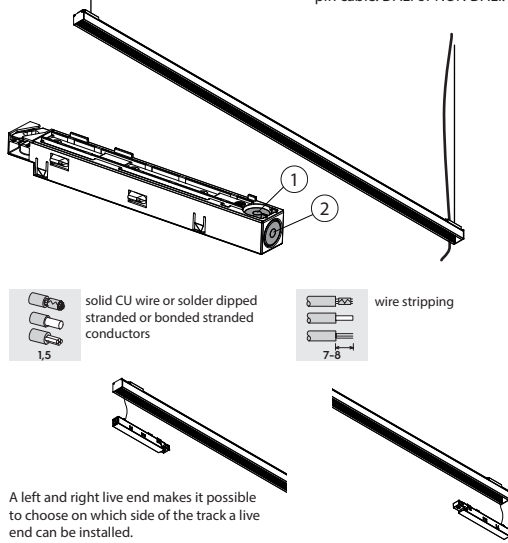
A: connection set ROUND  
B: connection set SQUARE  
C: connection set KOSMOS



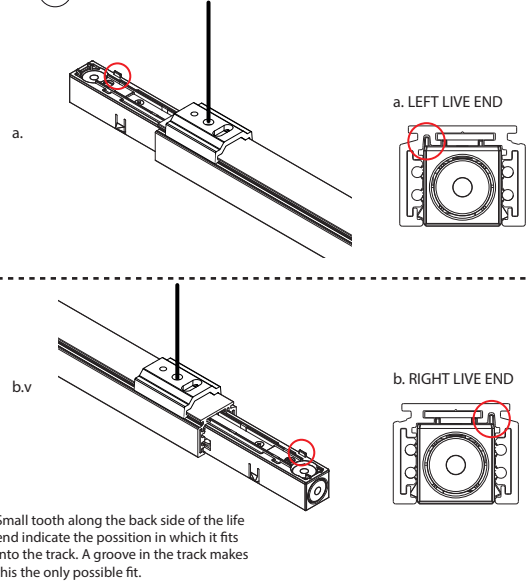
D1, D2  
no polarity  
in case of DALI

6 INSTALLING LIVE END  
ELECTRIC DETAIL

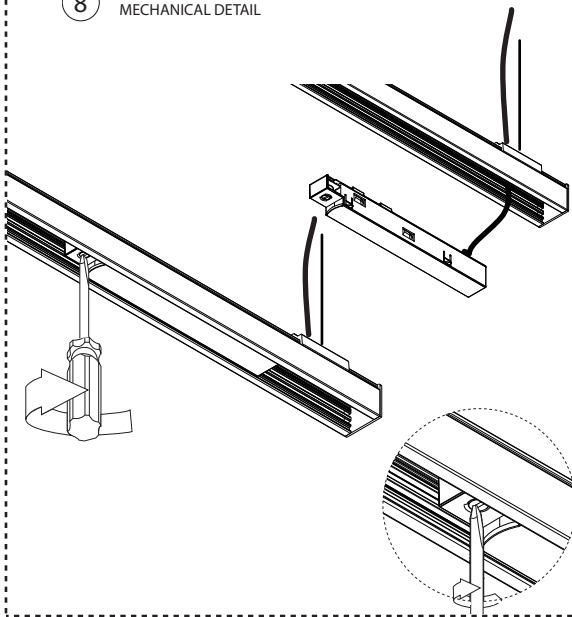
NOTE: electric connection with live end is the same for 2 or 4 pin cable. DALI or NON DALI.



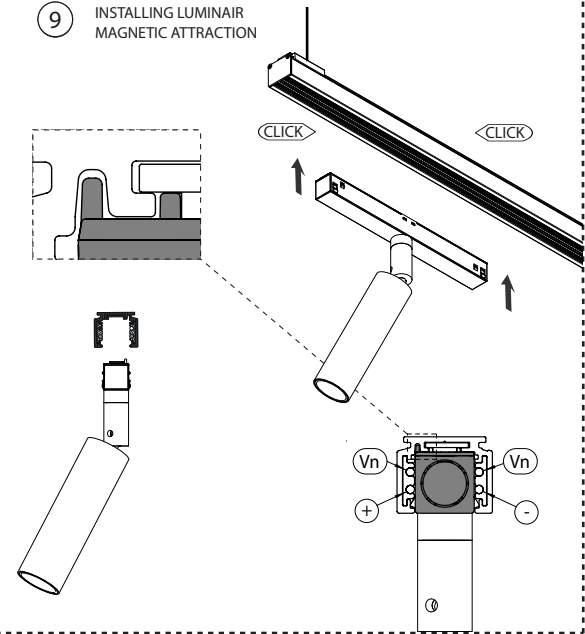
7 LIVE END LEFT - LIVE END RIGHT



8 INSTALLING LIVE END  
MECHANICAL DETAIL

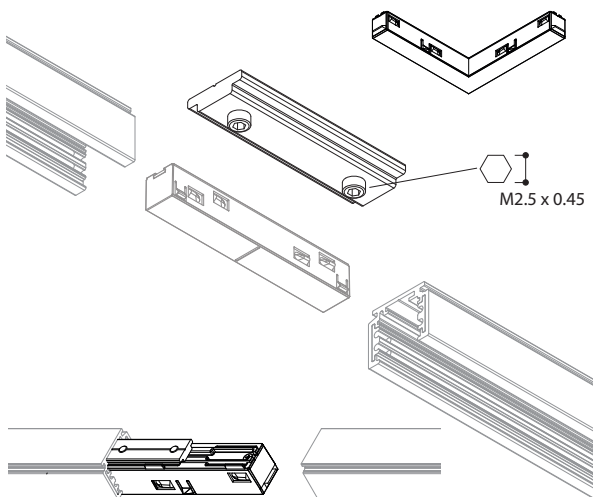


9 INSTALLING LUMINAIR  
MAGNETIC ATTRACTION



NOTE A: for track lengths >3m  
USE MECHANICAL COUPLER & ELECTRIC COUPLER 180°

NOTE B: for 90° corners use electrical coupler  
90° corners of track strobe cut on site (no mechanical coupler involved)



NOTE C: if the track must be shortened during installation,  
after cutting it use the special pliers to cut back the 4 copper wires of the track. Make sure to eliminate the 4 pieces of copper wire cut.

This will prevent them from coming into contact with one another in case of dual power supply, or, if end caps are used, to prevent the copper wires from coming into contact with them.

